



Phone : (815) 725-1226

## **Commercial Seating Guide 2018**



**48 MEADOW AVE. #2  
ROCKDALE, IL 60436**

**PHONE: 815-725-1226  
FAX: 815-725-1228**



# WOOD SEATING



C, DM, N

**521 & 521-BS**



C, DM, N, W

**523 & 523-BS**



C, DM, N, W

**524 & 524-BS**



C, DM, W

**534 & 534-BS**



B, C, DM, N, W

**535 & 535-BS**



DM, W

**536 & 536-BS**



B, DM, N, W

**850 & 850-BS**



B, C, DM, N, W

**870, 880 & 880-BS**



C, DM, N, W

**900 & 900-BS**



DM

**P821 & P821BS**



DM

**P830 & P830BS**



DM

**P880 & P880BS**

# WOOD SEATING



C, DM, N, W

**525 & 525-BS**



C, DM

**527 & 527-BS**



C, DM, N

**528 & 528-BS**



C, DM, W

**537 & 537-BS**



DM, W

**538 & 538-BS**



B, C, DM, N, W

**830 & 830-BS**

Beech Wood

Oak Wood



B, C, DM, N, W

**930 & 930-BS**



C, DM, N, W

**935 & 935-BS**



C, DM, W

B, C, DM, N, W

**930-BSS & 935-BSS**



DM

**P935 & P935BS**



DM, N, W

**High Chair**



DM

**590-BS**

# METAL SEATING



22 & 22-VN



72 & 72-BS



74 & 74-BS



77A & 77A-BS



77B & 77B-BS



77C & 77CBS



87 & 87-BS



88 & 88-BS



SR-2 & SR-8



51A & 51S



52A & 52S



53 & 53-BS



54 & 54-BS



55 & 55-BS



56 & 56-BS

# METAL SEATING



75 & 75-BS



76 & 76-BS



77, 77BS & 77BSS



77P & 77P-BS



78 & 78BS



85 & 85-BS



SR-4 & SR-4J



SR-5 & SR-5J



SR-7 & SR-9J



57 & 57-BS



90B & 90G



AL3636 & AL30



ALW3030 & ALW30



ALW3048

# BOOTH SEATING



Plain Back

**AD-36 & AS-36**



3 Channel Back

**AS-423**



3 Channel Back

**AD-423**



Horizontal Channel Back

**AS-36HO**



Horizontal Channel Back

**AD-36HO**



Button Tufted Back

**AS-36T**



Fan Back

**AS-42-F**



Fan Back

**AD-42-F**



Alex Style-Upholstered

**AS36-66U**



Wood Booths

**AWD-48DM & AWS-48C**



Plain Back-Standard Seat

**AD42-W-SS**



Bead Board Back-Standard Seat

**AS42-WBB-SS**

# BOOTH SEATING



6 Channel Back

**AS-426**



6 Channel Back

**AD-426**



12 Channel Back

**AD-3612 & AS-3612**



Button Tufted Back

**AD-36T**



V-Shape Back

**AS-36VN**



V-Shape Back

**AD-36VN**



Alex Style-Upholstered

**AD36-66U**



Alex Style-Laminate

**AD42-66L**



Alex Style-Wood

**AS42-66W**



Plain Back-Platform Seat

**AD42-W-PS**



Bead Board Back-Platform Seat

**AS42-WBB-PS**



Waiting Bench

**A-WB**



# TABLE TOPS & BASES

Laminate Table Tops



Ribbed Aluminum Edge Laminate Tops



Wood Edge Laminate Tops



Reversible Tops



Padded Tops



Resin Tops



Solid Ash Wood Tops



Bases



Trash Receptacles



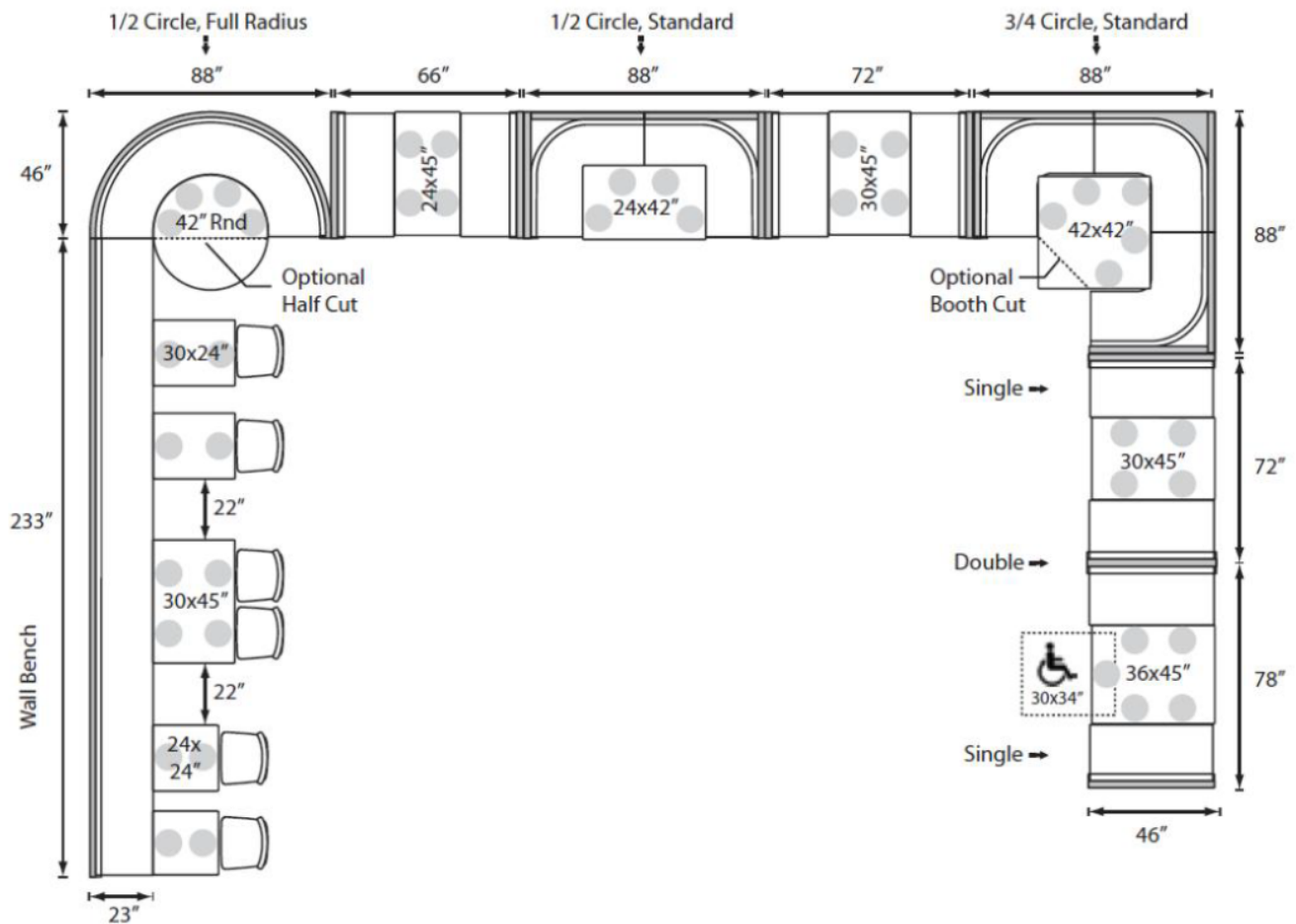
# Space Planning - Booths

## Why Booths?:

- In addition to more privacy and comfort, booths tend to add warmth (and revenue) to the front of the house.
- Booths are available in single, double, 1/2 circle, 3/4 circle and wall benches. Using a wall bench with small tables allows easy conversion from couple settings, to large parties.
- Booths can be cost more initially, but they are often a better investment in the long run. The square inches of floor space used for a 4 person booth is just over 3,000, while the square inches for a 4 person table can exceed 5,000. That equates to 30% more revenue per seating in a packed house.

## Booth Space Layout:

- The standard top cap is 2" wide on all ATS booths.
- A standard layout allows the table edge to align vertically with the outer edge of the booth seat. This provides a comfortable 16-18" seating depth.
- If using 30" wide tables, then booths require 72" from center to center of top caps.
- If using 24" wide tables, the space between booths can be reduced to 66" between the center of top caps.
- Note: Cantilever bases are recommended when using 24" tables with booths. Standard table bases limit the clearance between the booth and column to 10.5 inches when using a 24" table in a booth seating.
- Shading representing 10" plates is shown on the diagrams below.

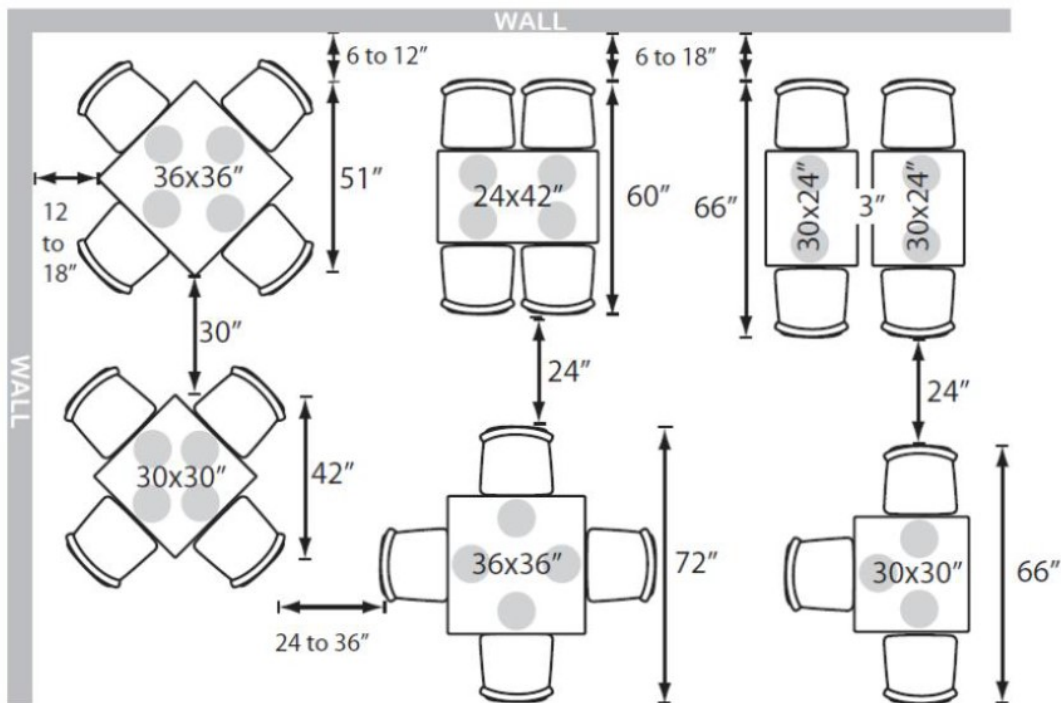


# Space Planning - Tables & Chairs



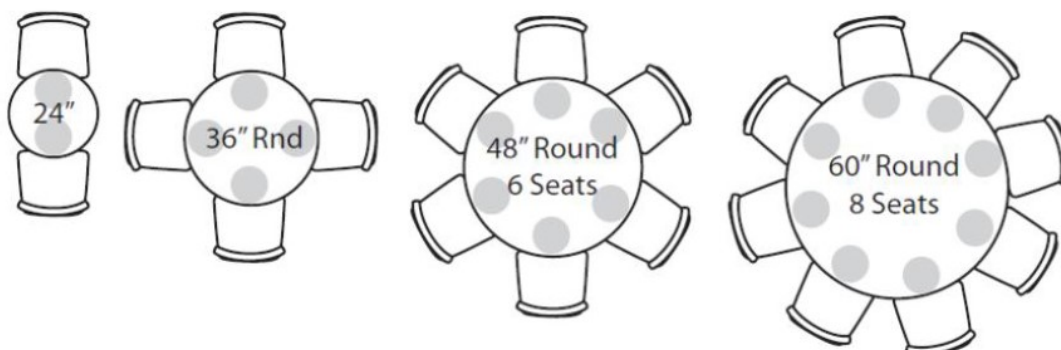
## Aisle Widths:

- Wait staff aisles can be 24" to 30", with service/main aisles 36".
- Allow square inches per seat for:
  - Banquet (close seating): 96-120 sq/in per person
  - Casual Dining: 120-144 sq/in per person
  - White Tablecloth (spacious seating): 144-168 sq/in per person
- Shading representing 10" plates is shown on the diagrams below.



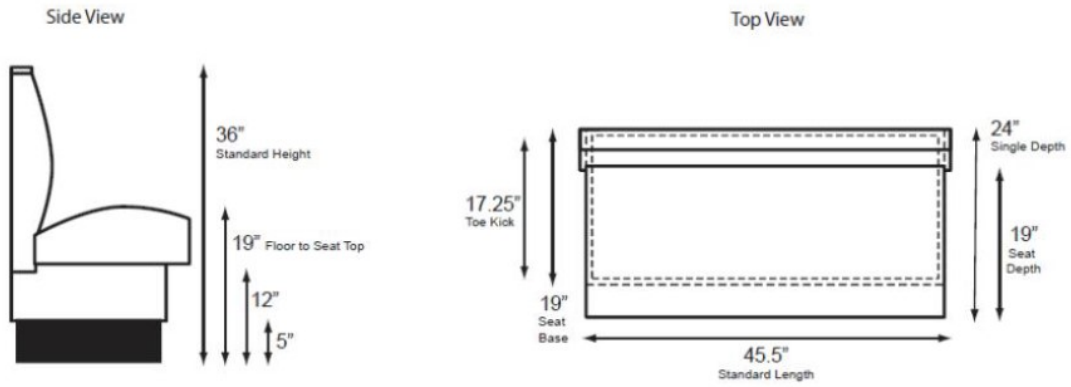
## Table Sizes / Space Notes:

- The architectural standard for dining suggests that 300 square inches table space be allowed per diner.
- 24" table width is a minimum, suitable for a diner. 30" is the standard width. Family dining with platters in the center should consider 36" widths.
- Note, in a booth, that a 24" table's column only allows 10.5" for the patron's feet as the slide over. Cantilever Bases are recommended for booths with 24" table widths.
- Shading representing 10" plates are shown on the diagrams below.

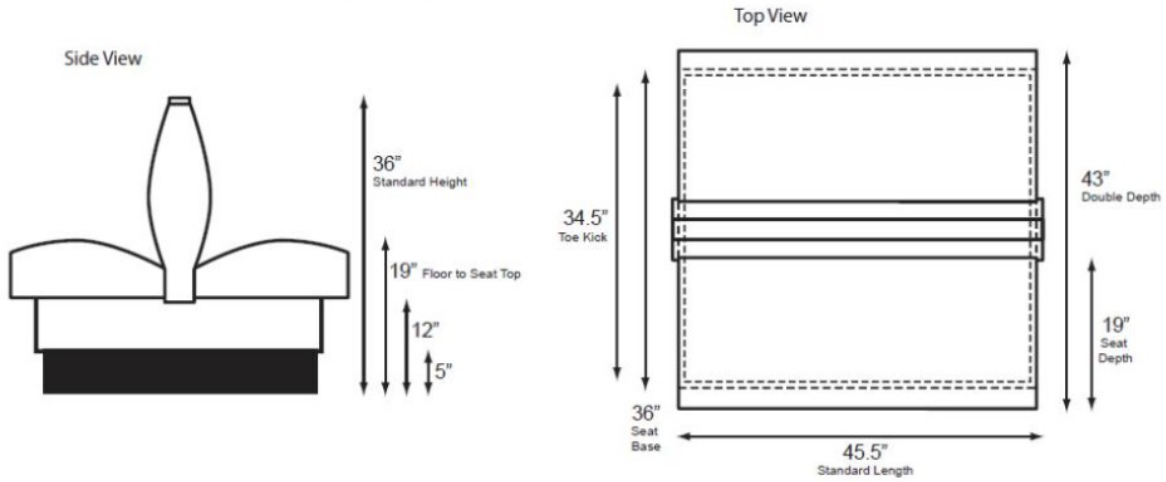


# Space Planning - Booth Dimensions

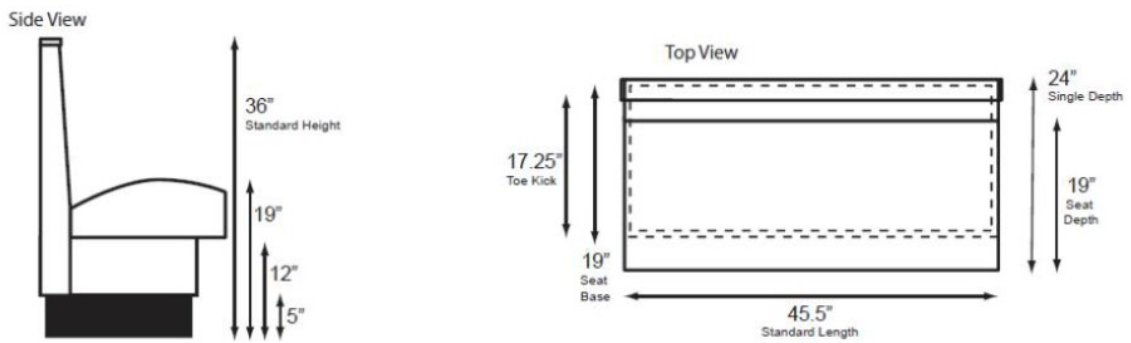
## ATS Single Upholstered Booth Upholstery Dimensions



## ATS Double Upholstered Booth Upholstery Dimensions

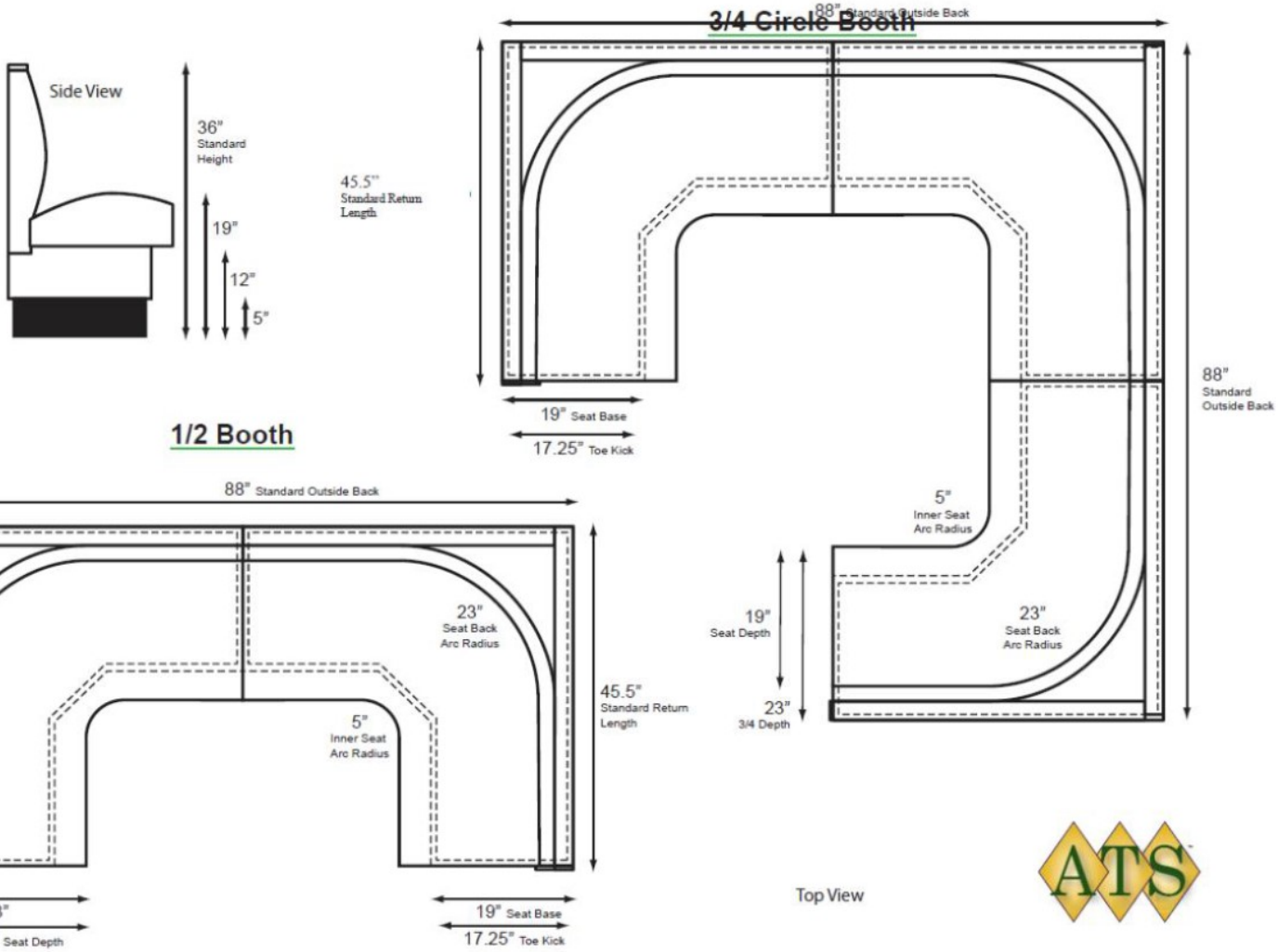


## ATS Single Wood Booth Dimensions

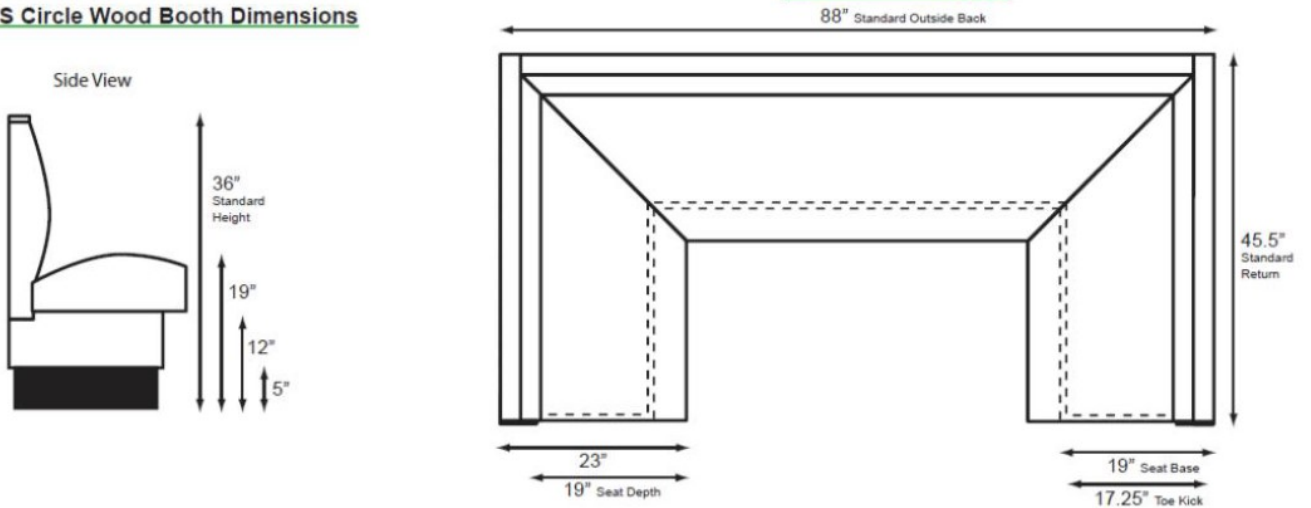


# Space Planning - Circle Booth Dimensions

## ATS Circle Upholstered Booth Dimensions



## ATS Circle Wood Booth Dimensions





**48 Meadow Ave. #2, Rockdale, IL 60436**  
**Phone : (815) 725-1226 Fax : (815) 725-1228**

Our company goal is to provide to you :

- Prompt, courteous customer service
- Reliable order fulfillment and delivery
  - High quality, tested products
  - Low competitive pricing
- Added value through local community involvement

